

IF IN DOUBT ASK
DO NOT SCALE

A

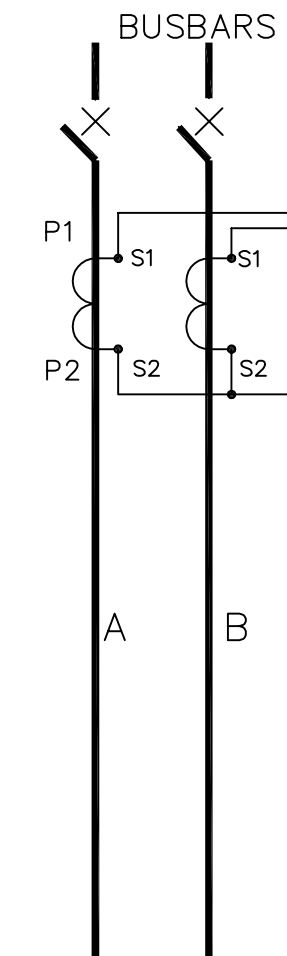
B

C

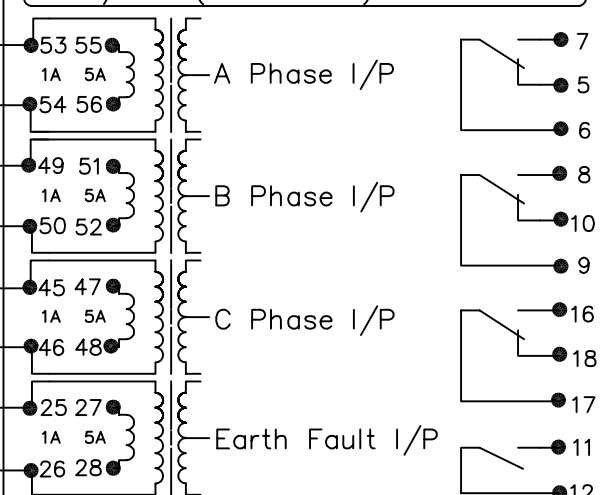
D

E

F



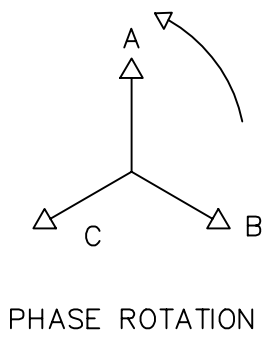
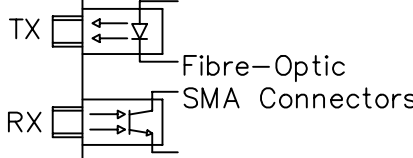
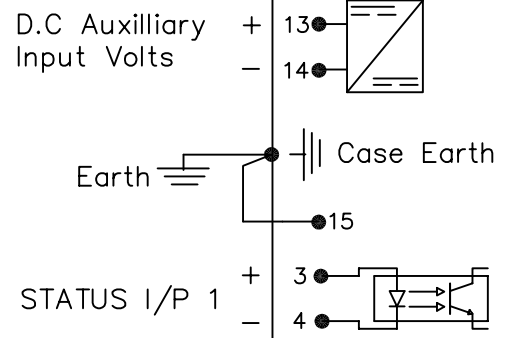
AG3/AG4(401-402) R6 CASE SIZE



- RELAY 1
- RELAY 2
- RELAY 3
- RELAY 4
- RELAY 5
- RELAY 6
- RELAY 7

STATUS PCB

- + STATUS I/P 9 (CLOSE & RECLAIM)
- STATUS I/P 8 (TRIP & LOCKOUT)
- + STATUS I/P 7 (CB CLOSED)
- STATUS I/P 6 (CB OPEN)
- + STATUS I/P 5
- STATUS I/P 4
- + STATUS I/P 3
- STATUS I/P 2



MATERIAL:

Dimensions in millimetres : Surface texture in micrometres.
Machine where marked ✓
For explanation of dimensions, tolerances, notes etc. see B.S.308.
Limit on untoleranced unmachined dimensions ± _____
Limits on untoleranced machined dimensions to B.S.4500;
i.e. up to 6±0.1; over 30 to 120±0.3; over 315±0.8;
over 6 to 30±0.2; over 120 to 315±0.5;
General unmachined angular tolerance ± _____

Finish: _____
Treatment: _____

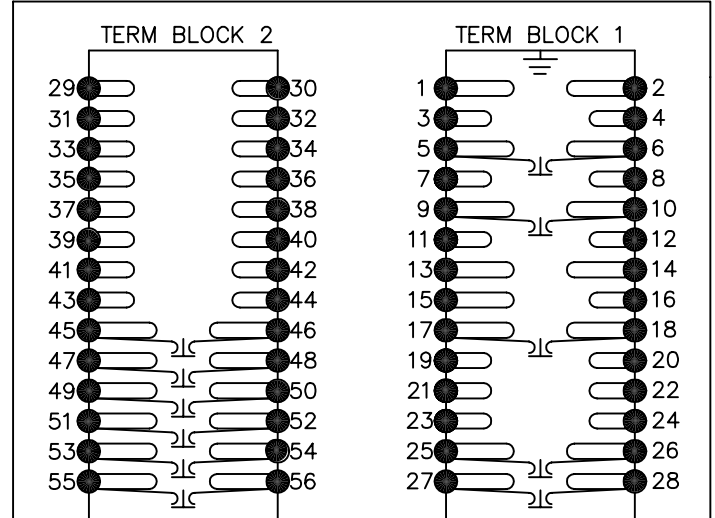
Title:
TYPICAL SCHEMATIC DIAGRAM FOR 3 PHASE & E/F
NUMERIC OVERCURRENT PROTECTION (ARGUS 3/4)
**Reyrolle Protection
Hebburn.**

First used on: _____
Similar Articles: _____
Supersedes: _____
Original Scale: NTS
Drg. No. 2716W10001

NOTES

- 1 CT CIRCUITS ARE SHOWN CONNECTED TO RELAY 1 AMP TAP. USE ALTERNATIVE TAP FOR 5AMP RATED CTs.
- 2 CT & EARTH CONNECTIONS ARE TYPICAL ONLY.
- 3 FOR TERMINAL DIAGRAM SEE 2716W20001 (A2)

TERMINAL BLOCKS VIEWED FROM REAR



KEY
1 Short Terminals
2 Long Terminals
3 CT Shorting Links

**NOT SUBJECT TO UPDATE
ONCE COPIED / PRINTED
OR DOWNLOADED**

DRAWN M LEASK	CHECKED	APPROVED R.D.WATSON	DATE 24/07/02	IE	OPS	PCP	Purch.Spec. TQ	EAC	CE	STD	A3
---------------	---------	---------------------	---------------	----	-----	-----	----------------	-----	----	-----	----

1	16/9/98	CHANGE NOTED
ISSUE	DATE	

Copyright © Reyrolle Ltd.